



## **MSW6T-6040-601**

### **SP6T High Power Series Common Anode Switch Module**

#### **Features:**

- Frequency Range: 30 MHz to 512 MHz
- High Peak Power Handling: +58 dBm
- High Average Power Handling: +56 dBm
- Low Insertion Loss: 0.1 – 0.5 dB
- Return Loss: > 15 dB
- Isolation: > 25 dB
- Surface Mount SP6T Switch Module: 8mm x 8mm x 2.5mm
- RoHS Compliant

#### **Description:**

The MSW6T-6040-601 SP6T surface mount High Power silicon PIN Diode Common Anode switch was designed for transmit/receive functions and switched filter bank applications operating in the 30 MHz to 512 MHz frequency range. The MSW6T-6040-601 high power switch leverages proven high reliability hybrid manufacturing processes which yield both superior RF and thermal characteristics performance when compared to MMIC, Glass Carrier based technologies or discrete MELF PIN diode switches. The hybrid design approach permits precise PIN Diode selection to optimize RF performance while maintaining competitive cost targets. The small form factors (8mm x 8mm x 2.5mm) offer world class power handling, low insertion loss, and superior isolation performance in a single device. The MSW6T-6040-601 symmetrical switch is tailored to minimize Transmit to Antenna loss while maximizing Transmit to Receive isolation. The extremely low thermal resistance of the hybrid assembly permits reliably handling up to +56 dBm CW power and up to +58 dBm peak RF incident power while operating at the  $T_{\text{Baseplate}} (\text{MAX}) = +55^{\circ}\text{C}$ .

#### **ESD and Moisture Sensitivity Rating**

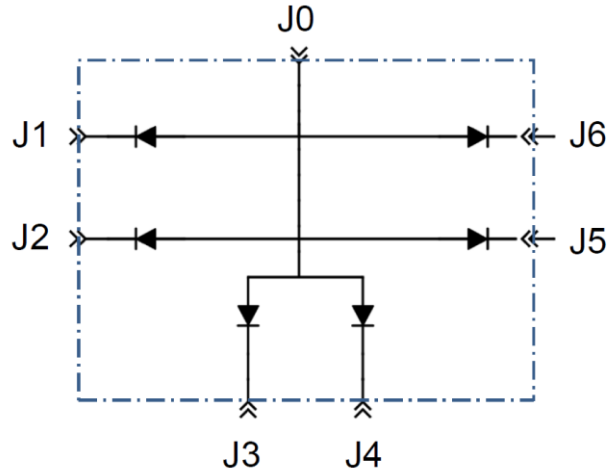
The MSW6T-6040-601 Switch Module carries a Class 1 ESD rating (HBM) and an MSL 1 moisture rating.

#### **Thermal Management Features**

A proprietary design methodology minimizes thermal resistance from the PIN Diode junction to base plate

( $R_{THJ-A}$ ) to the customer's substrate and then to the associated heat sink. This circuit topology coupled with the thermal characteristic of the substrate design enables reliably handling High Input RF Power up to +56 dBm CW and RF Peak Power levels up to +58 dBm with the base plate temperature at +55°C.

**MSW6T-6040-601 Series Common Anode SP6T Switch Module Schematic**



**Absolute Maximum Ratings @  $Z_0=50\Omega$ ,  $T_A= +25^\circ\text{C}$ .**

Parameter	Conditions	Absolute Maximum Value
Forward Current – ON ARM		600 mA
Reverse Voltage – OFF ARMS		275 V
Forward Diode Voltage	$I_F = 200 \text{ mA}$	1.2 V
Operating Temperature		-65°C to 125°C
Storage Temperature		-65°C to +125°C
Junction Temperature		+175°C
Assembly Temperature	$T = 10 \text{ sec}$	+260°C for 10 sec
CW Incident Power	Source VSWR: 1.2:1, Load VSWR: 1.2:1, $T_{CASE} = +55^\circ\text{C}$ , Cold Switching	+56 dBm
Peak Incident Power Handling	Source VSWR: 1.2:1, Load VSWR: 1.2:1, $PW = 30 \text{ usec}$ , $DC = 20 \%$ , $T_{case} = +55^\circ\text{C}$	+58 dBm

$T_{CASE}$  is defined as the temperature of the bottom ground surface of the device.

**MSW6T-6040-601 Electrical Specifications @  $Z_0=50\Omega$ ,  $T_A=+25^\circ\text{C}$** 

Parameter	Symbol	Test Condition	Min Value	Typ Value	Max Value	Units
<b>Frequency</b>	F		30		512	MHz
<b>Insertion Loss</b>	IL	ON ARM: $I_F = 200\text{ mA}$ OFF ARMS: $V_R = -50\text{V @ } 0\text{ mA}$ $P_{IN} = -10\text{ dBm}$				
		30 MHz – 250 MHz (*)		0.1	0.2	dB
		250 MHz – 400 MHz (*)		0.3	0.4	dB
		400 MHz – 512 MHz (*)		0.4	0.5	dB
<b>Return Loss</b>	RL	$P_{IN} = -10\text{ dBm}$ ON ARM: $I_F = 200\text{ mA}$ OFF ARMS: $V_R = -50\text{V @ } 0\text{ mA}$				dB
		30 MHz – 300 MHz (*)	15	20		dB
		300 MHz – 512 MHz (*)	11	13		dB
<b>Isolation</b>	ISO	$P_{IN} = -10\text{ dBm}$ ON ARM: $I_F = 200\text{ mA}$ OFF ARMS: $V_R = -50\text{V @ } 0\text{ mA}$				
		30 MHz – 300 MHz (*)	28	35		dB
		300 MHz – 512 MHz (*)	25	27		dB
<b>CW Incident Power (Note 1)</b>	$P_{inc}$ (CW)	ON ARM: $I_F = 300\text{ mA}$ OFF ARMS: $V_R = -250\text{V @ } 0\text{ mA}$ 1.2:1 Source VSWR & 1.2:1 Load VSWR $T_{CASE} = +55^\circ\text{C}$			56	dBm
<b>Peak Incident Power (Note 1)</b>	$P_{inc}$ (Peak)	ON ARM: $I_F = 500\text{ mA}$ OFF ARMS: $V_R = -275\text{V @ } 0\text{ mA}$ 1.2:1 Source VSWR & 1.2:1 Load VSWR, PW = 30 usec, Duty Cycle = 20%, $T_{CASE} = +55^\circ\text{C}$			58	dBm
<b>Switching Time (Note 2)</b>	t <sub>sw</sub>	50% TTL to to 90% RF Voltage		1.5	3	usec

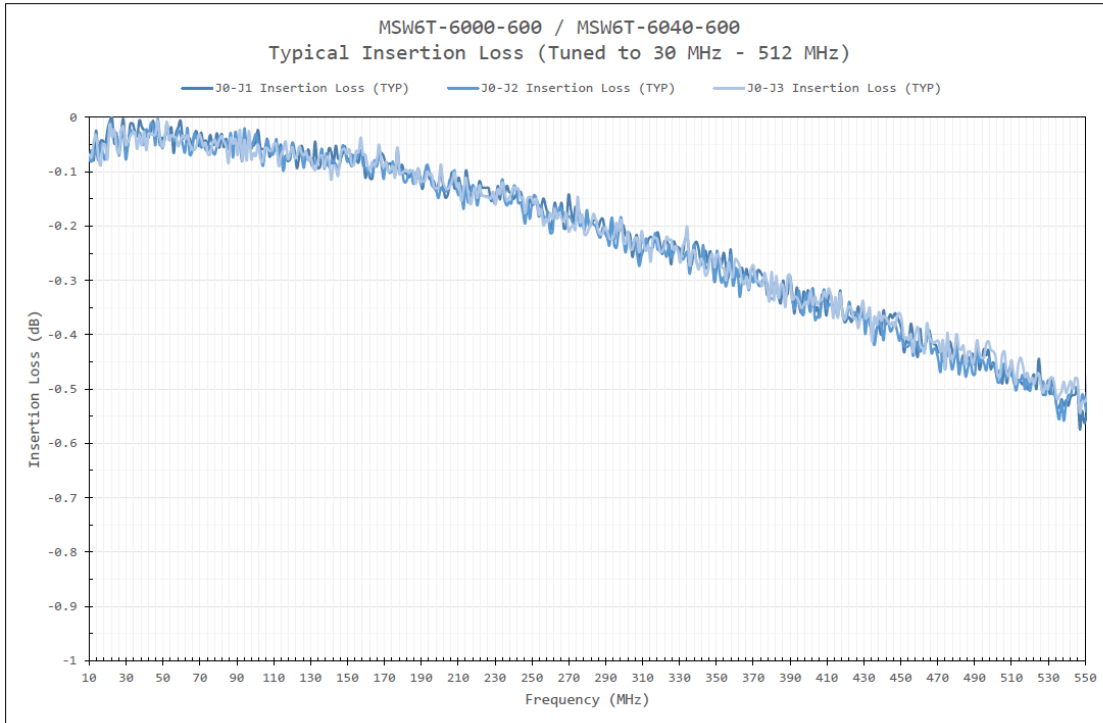
Conditions:

(\*) These specifications can be fine-tuned with external bias components.

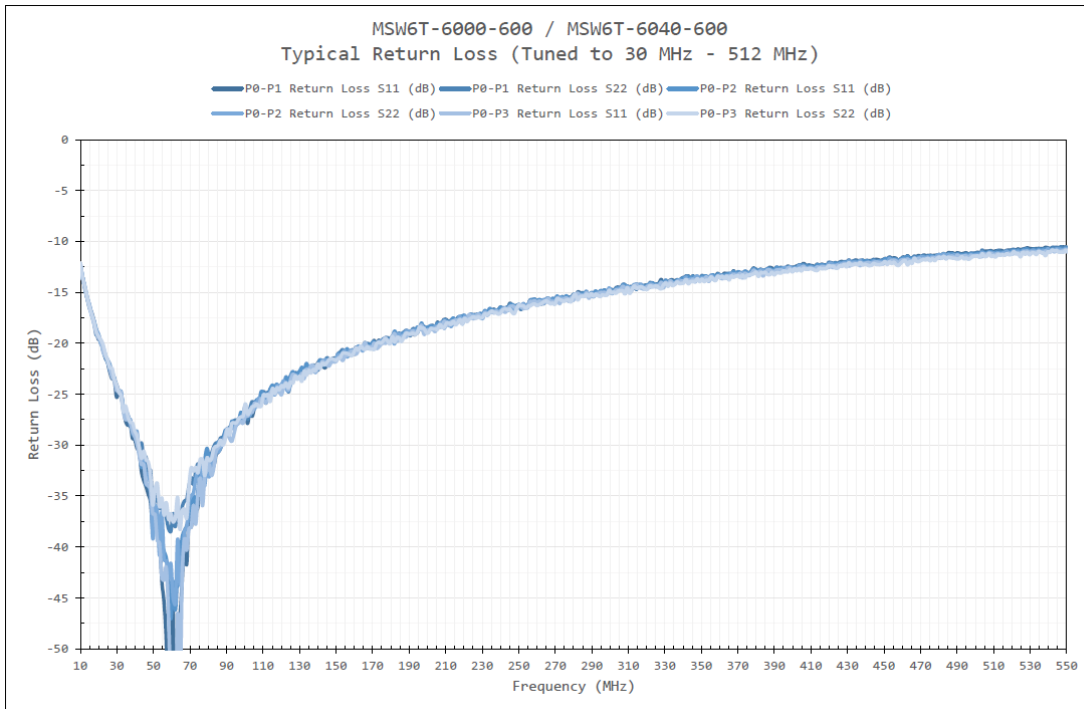
1. The PIN Diode minimum reverse DC Voltage (V<sub>HIGH</sub>) is used to maintain the High Resistance state in the OFF PIN Diode. It is determined by the RF frequency, incident power, pulse width, duty cycle, characteristic impedance and VSWR in addition to the RF characteristics of the PIN Diodes.
2. Switching time defined to be from 50% TTL signal to 10/90% RF Voltage. This is controlled by the PIN Diode Driver circuit performance as well as the RF characteristics of the PIN Diodes.

# MSW6T-6040-601 Small Signal RF Characteristics

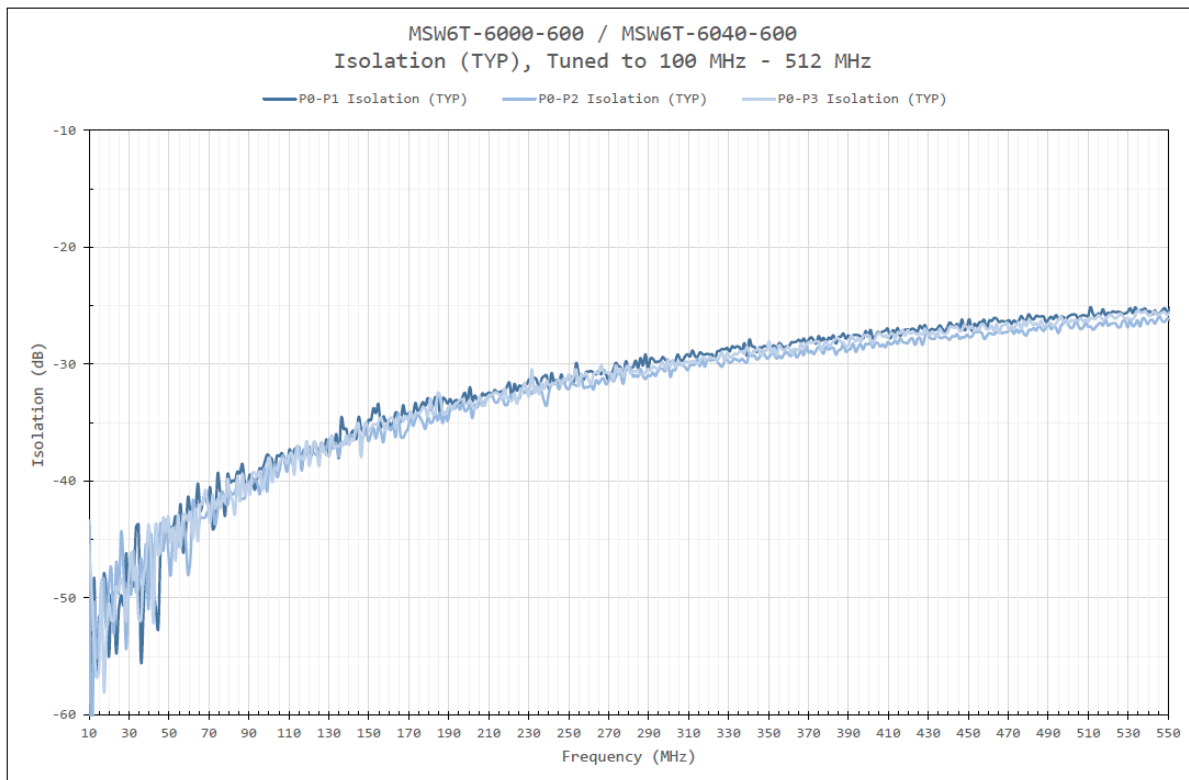
## MSW6T-6040-601 Insertion Loss



## MSW6T-6040-601 Return Loss



# MSW6T-6040-601 Isolation



**MSW6T-6040-601 Operating Truth Table:**

State	J0 Bias	J1 Bias	J2 Bias	J3 Bias	J4 Bias	J5 Bias	J6 Bias
<b>State 1</b> J0-J1 Low Loss J2-J6 Isolation	+5V	0V @ +200mA	V <sub>M RB</sub> @ 0 mA	V <sub>M RB</sub> @ 0 mA	V <sub>M RB</sub> @ 0 mA	V <sub>M RB</sub> @ 0 mA	V <sub>M RB</sub> @ 0 mA
<b>State 2</b> J0-J2 Low Loss J1,J3-J6 Isolation	+5V	V <sub>M RB</sub> @ 0 mA	+0V @ +200mA	V <sub>M RB</sub> @ 0 mA	V <sub>M RB</sub> @ 0 mA	V <sub>M RB</sub> @ 0 mA	V <sub>M RB</sub> @ 0 mA
<b>State 3</b> J0-J3 Low Loss J1,J2,J4-J6 Isolation	+5V	V <sub>M RB</sub> @ 0 mA	V <sub>M RB</sub> @ 0 mA	+0V @ +200mA	V <sub>M RB</sub> @ 0 mA	V <sub>M RB</sub> @ 0 mA	V <sub>M RB</sub> @ 0 mA
<b>State 4</b> J0-J4 Low Loss J1-J3,J5,J6 Isolation	+5V	V <sub>M RB</sub> @ 0 mA	V <sub>M RB</sub> @ 0 mA	V <sub>M RB</sub> @ 0 mA	+0V @ +200mA	V <sub>M RB</sub> @ 0 mA	V <sub>M RB</sub> @ 0 mA
<b>State 5</b> J0-J5 Low Loss J1-J4, J6 Isolation	+5V	V <sub>M RB</sub> @ 0 mA	V <sub>M RB</sub> @ 0 mA	V <sub>M RB</sub> @ 0 mA	V <sub>M RB</sub> @ 0 mA	+0V @ +200mA	V <sub>M RB</sub> @ 0 mA
<b>State 6</b> J0-J6 Low Loss J1-J5 Isolation	+5V	V <sub>M RB</sub> @ 0 mA	V <sub>M RB</sub> @ 0 mA	V <sub>M RB</sub> @ 0 mA	V <sub>M RB</sub> @ 0 mA	V <sub>M RB</sub> @ 0 mA	+0V @ +200mA

Note: 1) V<sub>M RB</sub> value please refer to the Minimum Reverse Bias Voltage vs Frequency table to determine the required biasing voltage as various frequencies and power levels.

**Minimum Reverse Bias Voltage vs Frequency**

Frequency	30 MHz	88 MHz	225 MHz	512 MHz
<b>Reverse Bias Voltage</b>	200V	185V	150V	100V

Note: Signal conditions:

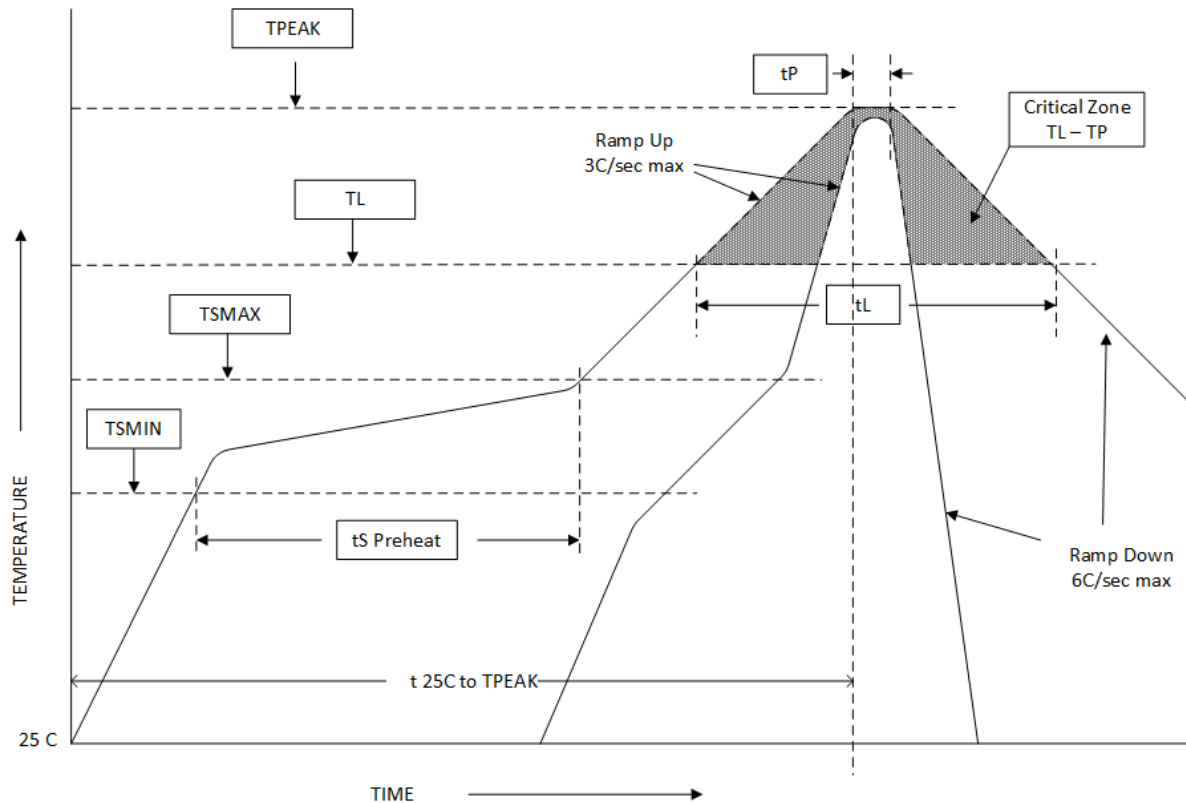
Input Power: 100W (CW)  
Source VSWR: 1.2 : 1  
Load VSWR: 1.2 : 1

## Assembly Instructions

The MSW6T-6040-601 may be attached to the printed circuit card using solder reflow procedures using either RoHS or Sn63/ Pb37 type solders per the Table and Temperature Profile Graph shown below:

Profile Parameter	Sn-Pb Assembly Technique	RoHS Assembly Technique
Average ramp-up rate ( $T_L$ to $T_P$ )	3°C/sec (max)	3°C/sec (max)
Preheat		
Temp Min ( $T_{smin}$ )	100°C	100°C
Temp Max ( $T_{smax}$ )	150°C	150°C
Time (min to max) ( $t_s$ )	60 – 120 sec	60 – 180 sec
$T_{smax}$ to $T_L$		
Ramp up Rate		3°C/sec (max)
Peak Temp ( $T_P$ )	225°C +0°C / -5°C	260°C +0°C / -5°C
Time within 5°C of Actual Peak Temp ( $T_P$ )	10 to 30 sec	20 to 40 sec
Time Maintained Above:		
Temp ( $T_L$ )	183°C	217°C
Time ( $t_L$ )	60 to 150 sec	60 to 150 sec
Ramp Down Rate	6°C/sec (max)	6°C/sec (max)
Time 25°C to $T_P$	6 minutes (max)	8 minutes (max)

## Solder Re-Flow Time-Temperature Profile



### MSW6T-6040-601 Switch Module Package Outline Drawing

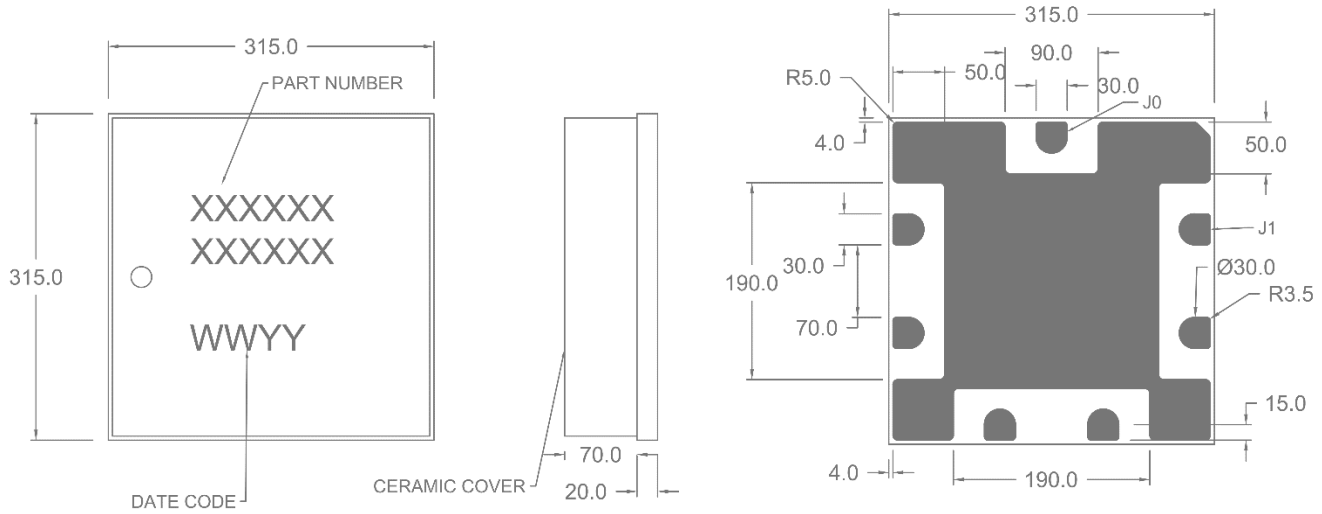
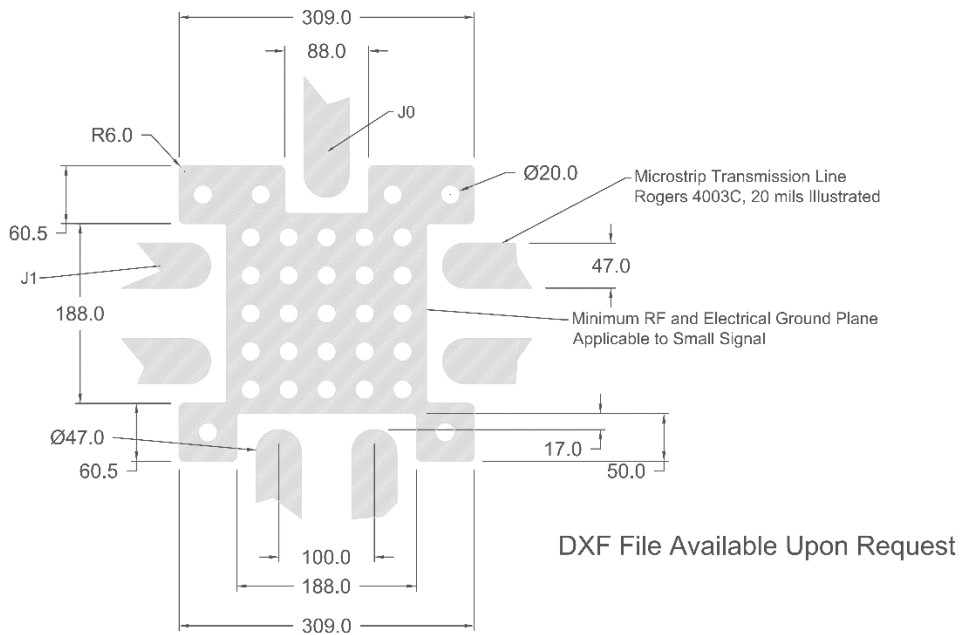


Figure 1 Module Outline and Markings; Units in mils

Notes:

- 1) Metalized area on backside is the RF, DC and Thermal ground. In user's end application this surface temperature must be managed to meet the power handling requirements.
- 2) RF Cover: White Ceramic
- 3) Substrate Material: 20 mils Aluminum Nitride (AlN)

### MSW6T-6040-601 Suggested Solder Footprint (Units in mils)

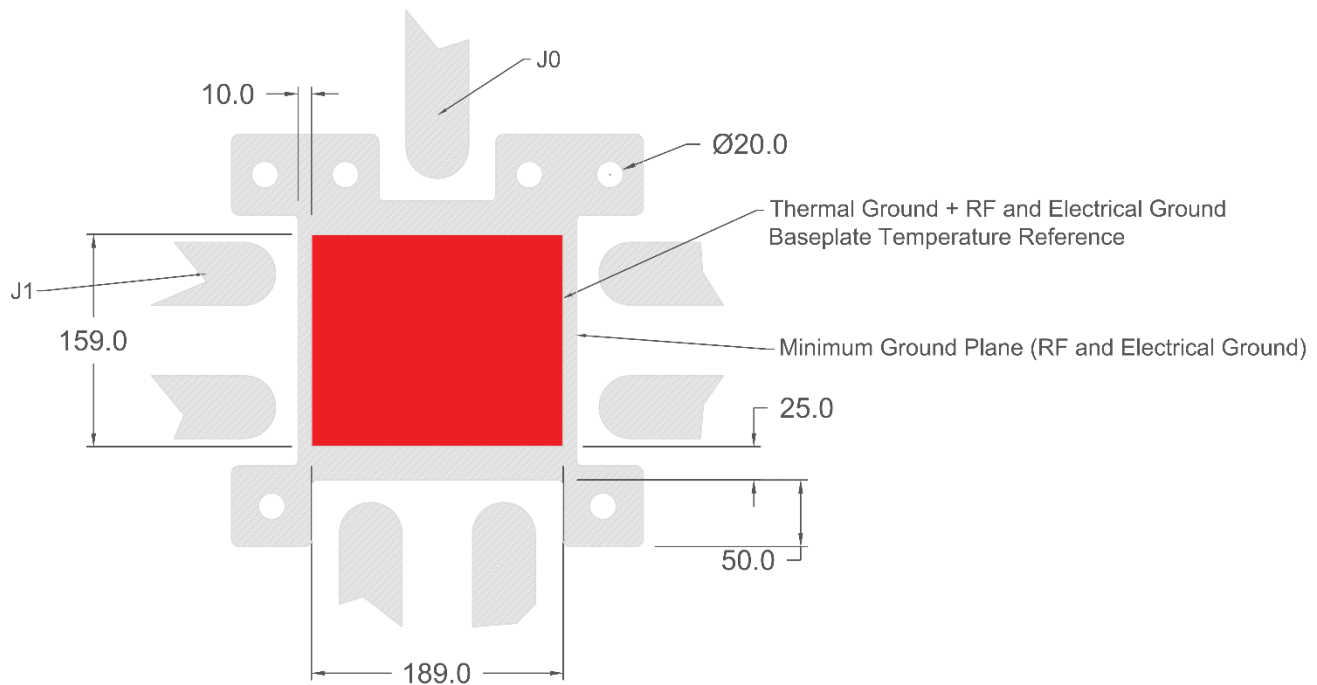




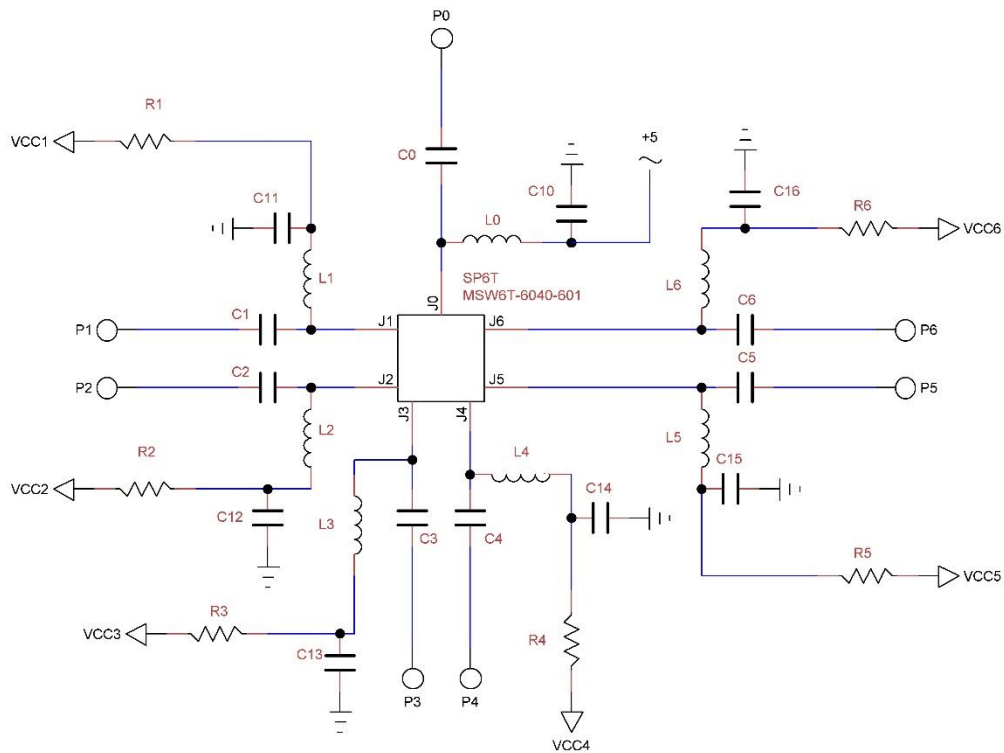
### Thermal Design Considerations:

The design of the MSW6T-6040-601 permits the maximum efficiency in thermal management of the PIN Diodes while maintaining extremely high reliability. Optimum switch performance and reliability of the device can be achieved by the maintaining the base ground surface temperature of less than +55°C.

There must be a minimal thermal and electrical resistance between the bottom surface of the switch package and ground/heat sink system. Adequate thermal management is required to maintain a  $T_{JC}$  at less than +175°C and thereby avoid adversely affecting the semiconductor reliability. Special care must be taken to assure that minimal voiding occurs in the solder connection in the area shaded in red in the figure shown below:



### MSW6T-6040-601 Biasing Schematic



Component	Label	MFG PN
RF Inductor	L0 – L6	1008LS-222XJE Coilcraft, 2.2 UH
RF Coupling Capacitor	C0, C1, C2, C3, C4, C5, C6	TDK, 06032C102JAT2A, 200V, 1000 PF, X7R, 0603 (*) (*) Usage is two; total capacitance is ~ 2000 pF
RF Bypass Capacitor	C10, C11, C12, C13, C14, C15, C16	AVX, 08052C182KAT2A, 200V, 1800 PF, X7R, 0805 (X1)
Current Limit Resistor	R1, R2, R3, R4, R5, R6	150 mA ≤ Forward Bias Current ≤ 250 mA; RF Power, Frequency and Linearity Dependant

### Part Number Ordering Detail:

The MSW6T-6040-601 Switch Modules is available in the following format:

Part Number	Description	Packaging
MSW6T-6040-601	SP6T 30 MHz – 512 MHz 8mm x 8mm	Gel Pack
MSW6T-6040-601 HP EVB	MSW6T-6040-601 High Power Evaluation Board	Box